

**Features:**

- \* Universal AC Input (90-264 VAC)
- \* Small Wallmount Package
- \* Worldwide Safety Approvals
- \* EN55022 & FCC Class B Emissions
- \* CE Mark

**Input**

Input Voltage	Universal 90-264 VAC
Input Frequency	47-63Hz
Inrush Current	<60A Max @ 230 VAC Cold Start
Hold-Up Time	>20ms @ 115VAC & 230VAC
Leakage Current	<3500 $\mu$ A @ 230
Input Protection	2 Amp/ 250 VAC Fuse

**General**

Efficiency	65% typical
Operating Temperature	0 to 40°C full load, derate 5% per °C to 50°C max.
Storage Temperature	-10°C to +90°C
Cooling	Convection

**Output**

Minimum Load	n/a
Total Regulation	$\pm$ 3% typ.
Ripple & Noise	$\pm$ 1% typ. pk-pk @ 20MHz
Overload Protection	Protected against short circuit
OverVoltage Protection	Latching at >124% of nominal
Adjustment	Fixed
Transient Response	voltage returns < 3S following a 25% load change

**EMC & Safety**

Emissions EN55022 "B", FCC Part 15 Subject J Class B

Safety Approvals UL/cUL 60950  
EN60950  
CE Mark (LVD)

**Model Number**

M10033  
M10045  
M10050  
M10060  
M10075  
M10090  
M10120  
M10135  
M10150  
M10180

**Outputs**

3.3V @ 2.0A  
4.5V @ 2.0A  
5V @ 2.0A  
6V @ 1.9A  
7.5V @ 1.5A  
9V @ 1.3A  
12V @ 1.0A  
13.5V @ 0.9A  
15V @ 0.8A  
18V @ 0.6A

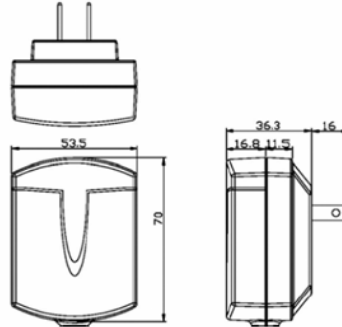
Add the suffixes listed below to define package style & complete the part number:

- \* A1 = North American Wallmount
- \* B1 = European Wallmount

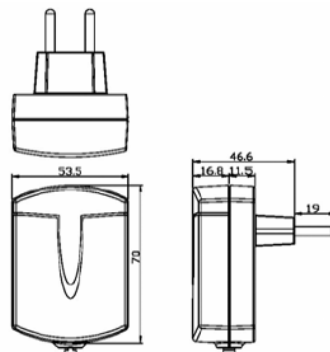
**Mechanical Details**

---

Suffix A1: North American Plug



Suffix B1: European Plug

**Notes**

---