



## Features:

- \* Universal AC Input (85-264 VAC)
- \* Industry Leading Small Size - Only 4 x 2 x 0.92"
- \* Worldwide Safety Approvals
- \* EN55022 & FCC Class B Emissions
- \* CE Mark

## Input

Size: 4.00 x 2.00 x 0.92"

Input Voltage	90-264 VAC
Input Frequency	47-63Hz
Inrush Current	12A Max @ 230 VAC Cold Start
Input Current	0.7A @ 115 VAC / 0.35A @ 230 VAC Typical
Hold-Up Time	11.2ms @ 115 VAC / 72ms @ 230 VAC Full Load
Leakage Current	<750 $\mu$ A @ 230 VAC

## Output

Minimum Load	None
Line Regulation	$\pm 0.1\%$ typ.
Load Regulation	$\pm 1\%$ typ..
Ripple & Noise	$\pm 1\%$ typ. pk-pk @ 20MHz
Overload Protection	105-120% max. power (Latch)
OverVoltage Protection	Latch
Adjustment	Fixed
Transient Response	voltage returns < 500 $\mu$ S following a 50% load change

## General

Efficiency	80-89.5% Typ.
Switching Frequency	85KHz
Operating Temperature	0 to 50°C full load, derate 2.5% per °C to 70°C max.
Storage Temperature	-20°C to +85°C
Cooling	5 cfm airflow
Temp Co-Efficient	0.04% per °C
Topology	Fixed Frequency Flyback

## EMC & Safety

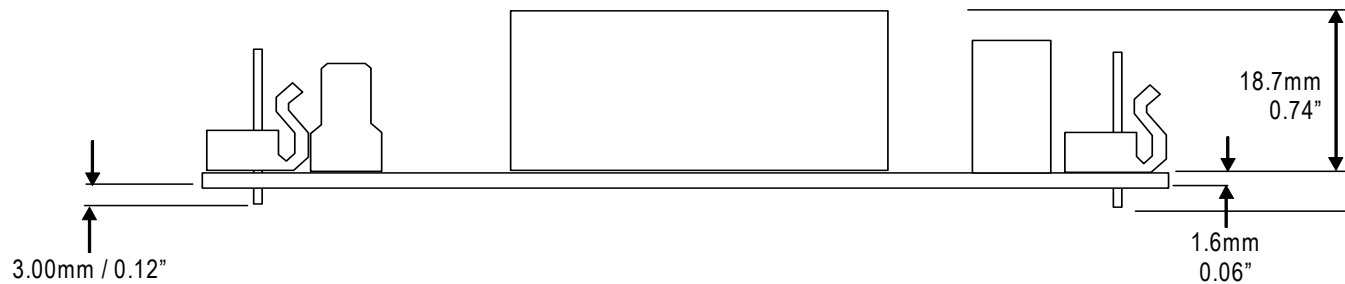
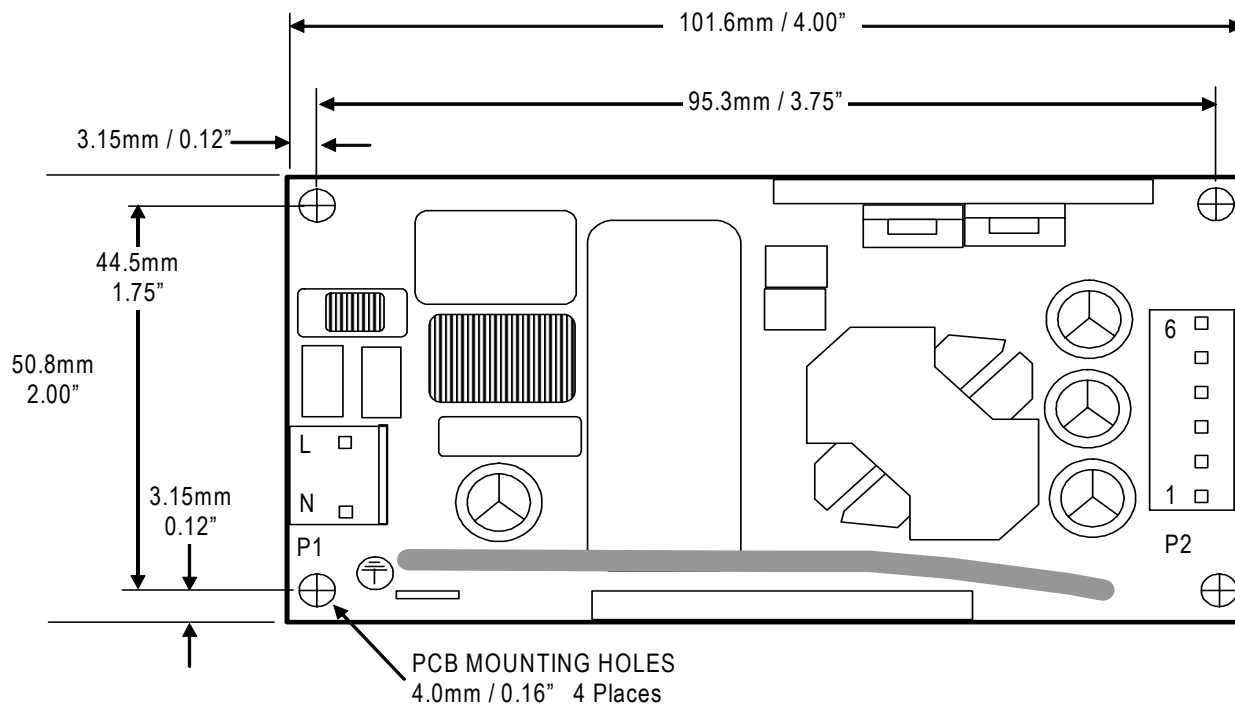
Emissions	EN55022 "B", FCC Class B
Safety Approvals	UL/cUL60950 EN60950 CE Mark (LVD)

Model Number	Output
APS43VI-S120350	12V @ 3.50A
APS43VI-S150270	15V @ 2.70A
APS43VI-S240170	24V @ 1.70A
APS43VI-S480085	48V @ 0.85A



All Advanced Power Solutions (APS) products will be RoHS compliant. Products that are compliant will bear the suffix "-LF" in their part number. APS will continue to ship non-RoHS product until all inventory has been consumed unless customer's have specifically ordered the parts with the "-LF" suffix.

**Mechanical Specifications:**



WEIGHT: 121g (4.270z)

INPUT & OUTPUT CONNECTORS PIN ASSIGNMENT:

ASSIGNMENT CNTR/PIN#	INPUT		OUTPUT	
	AC-L	AC-N	V01	DC COM
	P1-3	P1-1	P2-1,2	P2-3,4

MATING CONNECTOR: P1,2 Molex # 5195 or 5239 series.